



Sink - Tara.

Wall-mounted three-hole lavatory mixer without drain - polished chrome

Article number: 36 717 882-00 0010



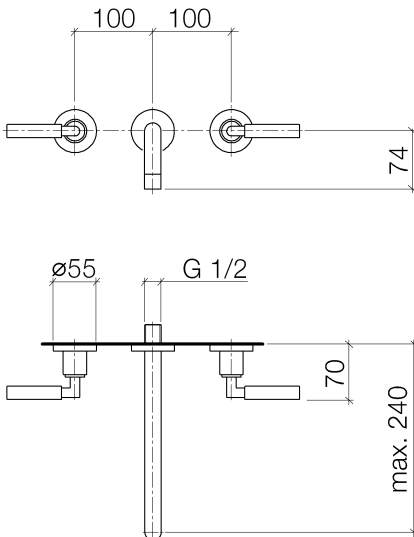
- 9-1/2" Projection
- Rigid spout
- Round aerated stream
- Valve hole diameter 1-5/8"
- Spout hole diameter 1-5/8"
- Flange diameter 2-1/8"
- Water flow rate limited to max. 1.2 gpm
- lead-free
- (ADA)



polished chrome

Accessory is required for this item.

Dimensional drawing





Sink - Tara.

Wall-mounted three-hole lavatory mixer without drain - polished chrome

Article number: 36 717 882-00 0010

All dimensions in mm / inch = mm x 0,0394

Flow rate chart





Sink - Tara.

Wall-mounted three-hole lavatory mixer without drain - polished chrome

Article number: 36 717 882-00 0010

Other surface finishes



platinum matte

36 717 882-06 0010



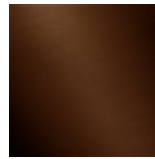
platinum

36 717 882-08 0010



Dark Brass matte

36 717 882-16 0010



Dark Bronze matte

36 717 882-17 0010



black matte

36 717 882-33 0010



Dark Platinum matte

36 717 882-99 0010

More custom finish options are available via special production (xTra Service). Please see our finish matrix for availability and pricing or contact a Dornbracht representative.

Required article



35 707 970-90 0010

Rough for wall-mounted
faucet spout in center -



35 712 970-90 0010

Rough for wall-mounted
faucet flexible positioning -

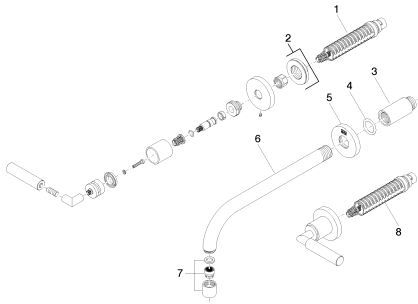


Sink - Tara.

Wall-mounted three-hole lavatory mixer without drain - polished chrome

Article number: 36 717 882-00 0010

Spare parts list



Number	Item Number	Designation	Number of units
<hr/>			